

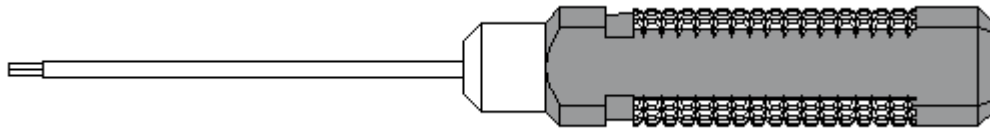
RC4WD Trail Finder 2 SWB

1/10 Scale 4x4 Chassis Kit

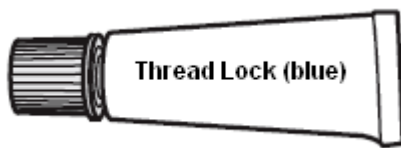




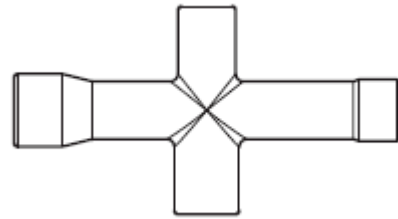
Recommended Tools



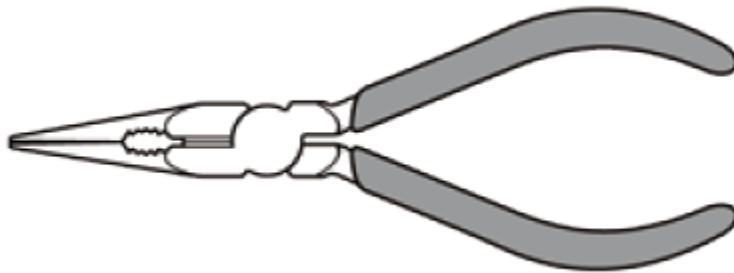
Hex Drivers (1.5mm, 2mm, 2.5mm)



Thread Lock



Cross Wrench



Long Nose Pliers

Tips for Assembly

Use good quality hex drivers to avoid stripping screw heads.

Use thread lock when putting metal screws into metal parts.

Note: Steps marked with an asterisk (*) require thread lock.

Use thread lock sparingly.

Do not over tighten screws otherwise you may strip the thread.



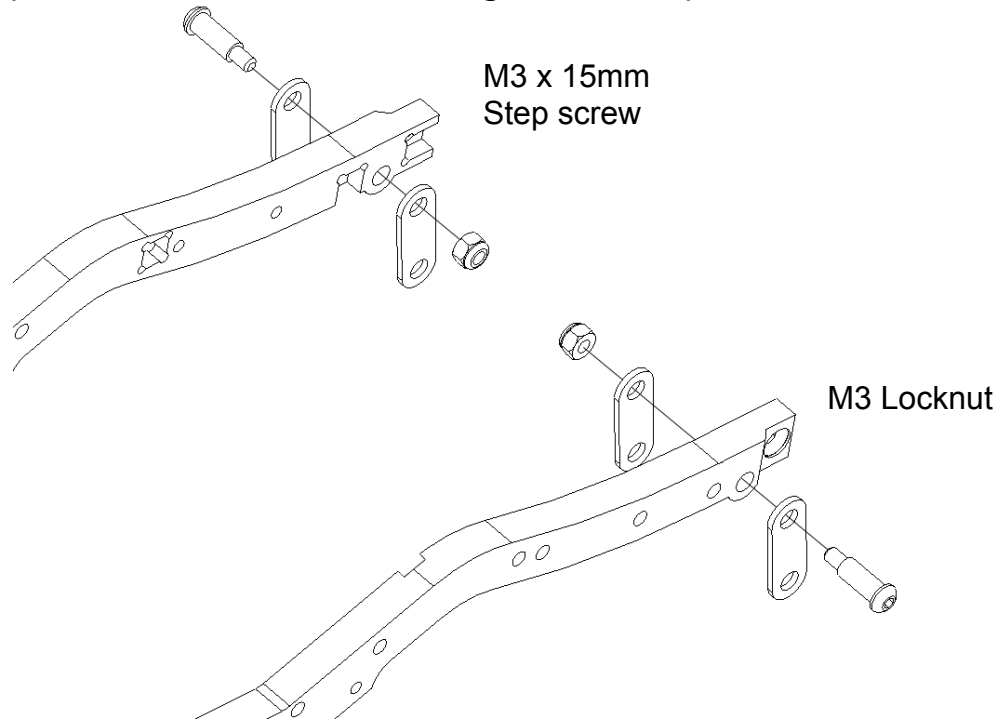
RC4WD Limited Warranty

All RC4WD products are warranted to be free of defects in materials and workmanship when new. Our limited warranty does not cover damages due to normal wear and tear, user error of assembly or installation, user modifications, user's failure to perform routine maintenance, addition of aftermarket parts or option parts. This warranty lasts 30 days after arrival for original purchaser. In the event of a defect under this warranty, RC4WD will, at our discretion, replace the product, provided our inspection indicates that an original defect exists. RC4WD reserves the right to replace any product which is no longer available with a product of comparable value and function. If RC4WD determines the repair is not covered under warranty guidelines, we will contact you to discuss your options. If you have any questions, please contact us via email at support@rc4wd.com.

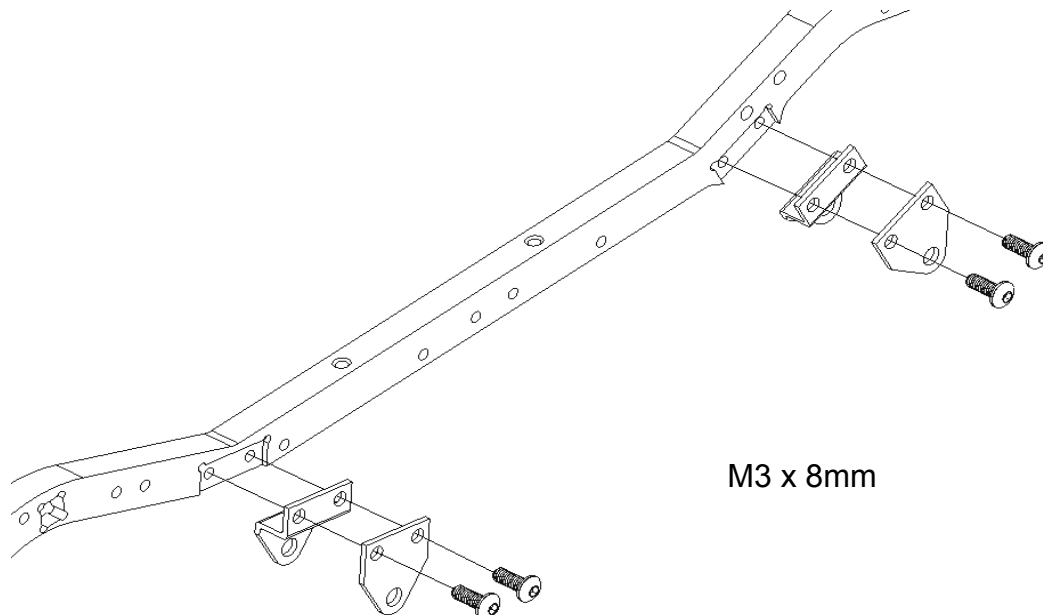


All of the hardware should be taken from Hardware Bag H/TF2 SWB.

- 1** Step 1,2 & 3 need to be performed on both frame rails
(Parts can be found in Parts Bag J/TF2 SWB.)

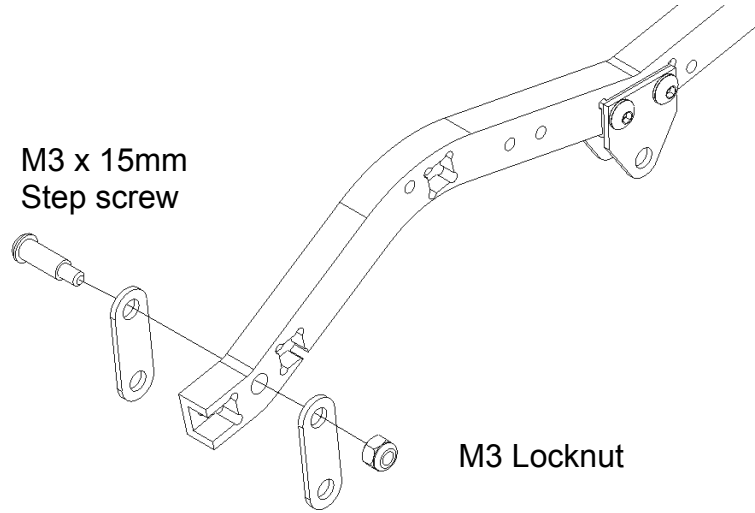


- 2 ***
(Parts can be found in Parts Bag J/TF2 SWB.)

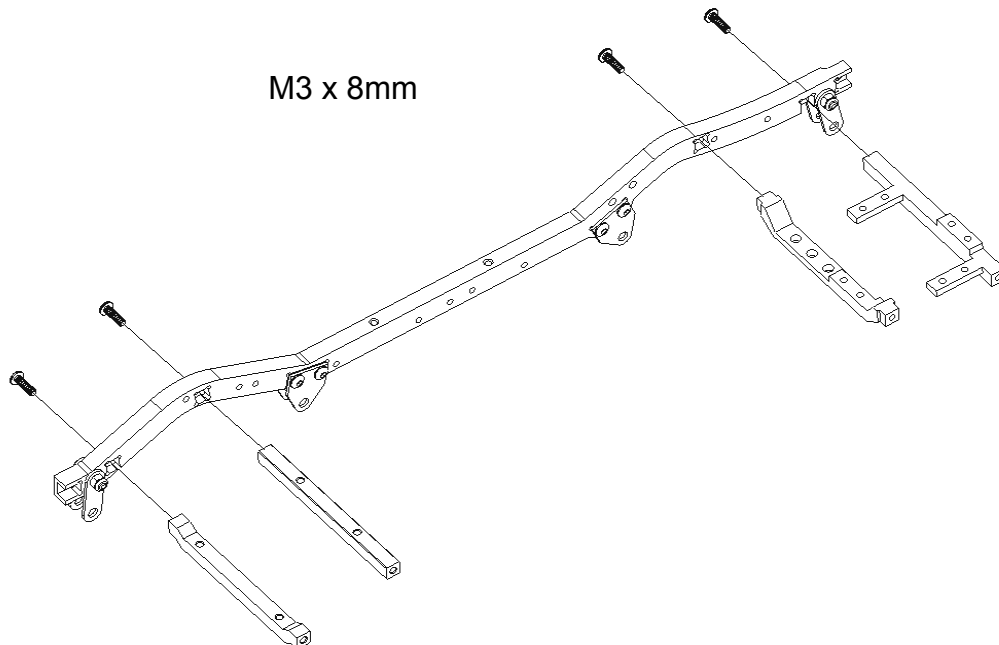


3

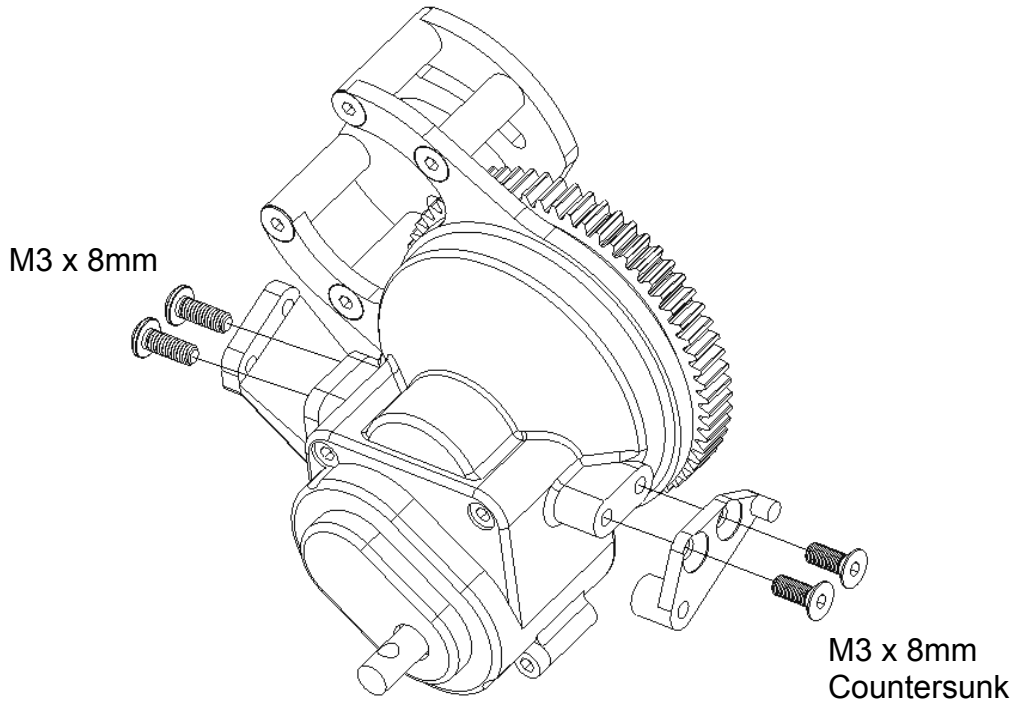
(Parts can be found in Parts Bag J/TF2 SWB.)



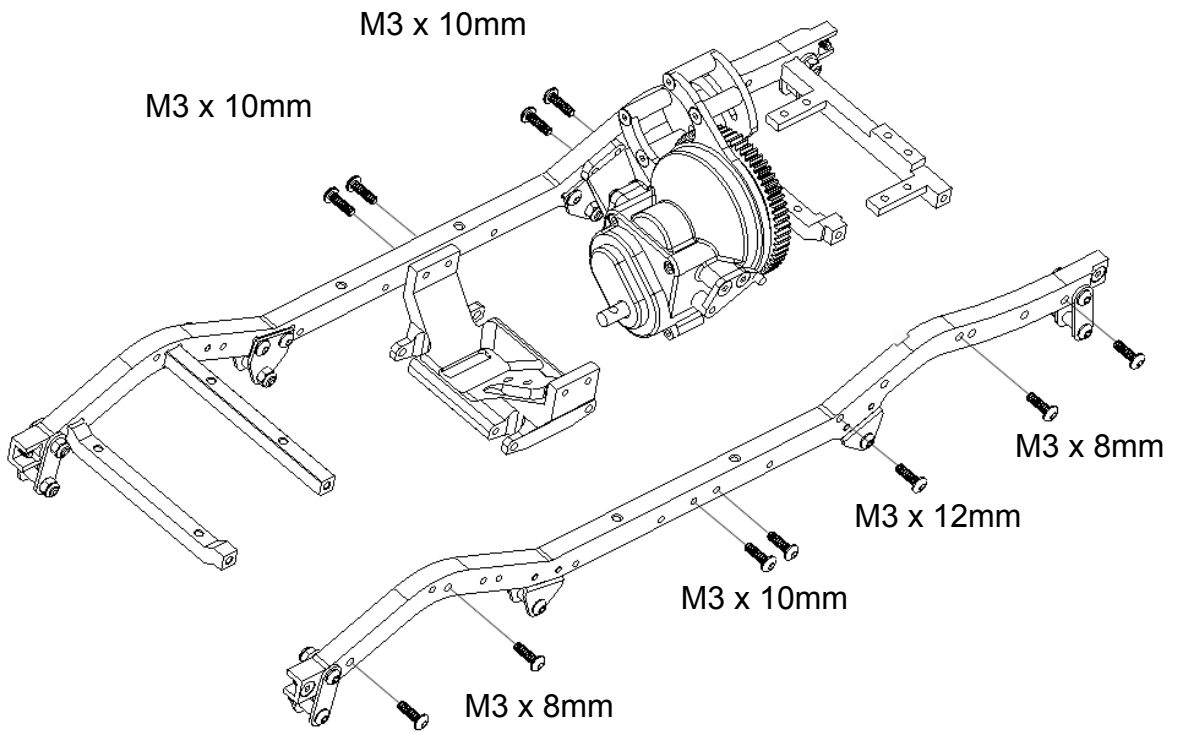
4 *



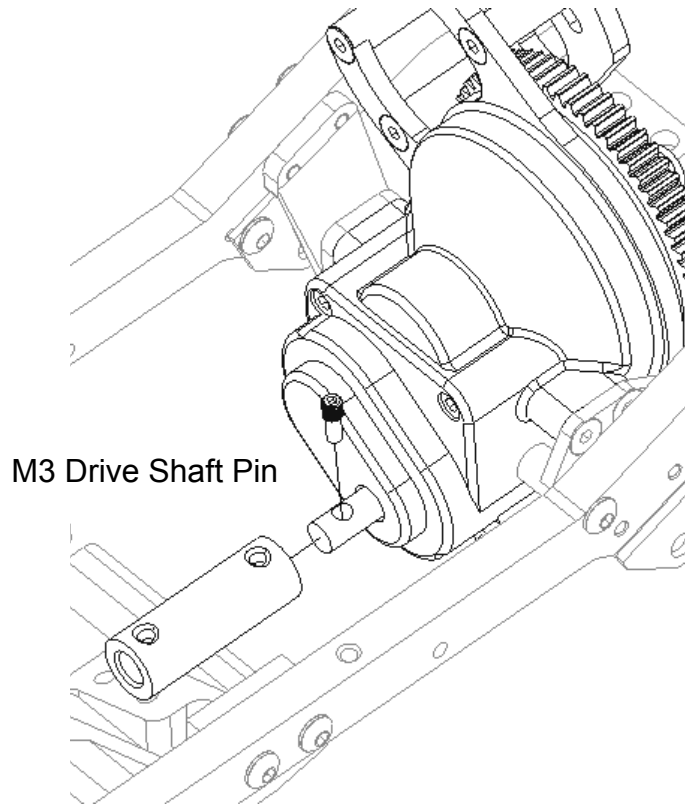
5 *



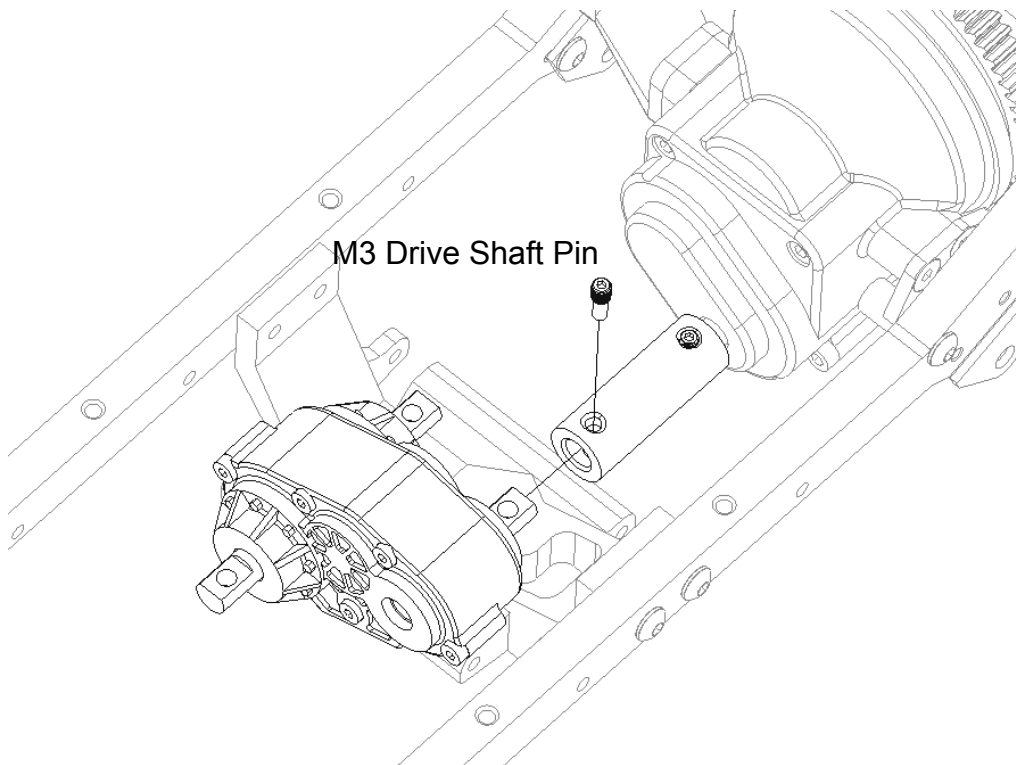
6 *



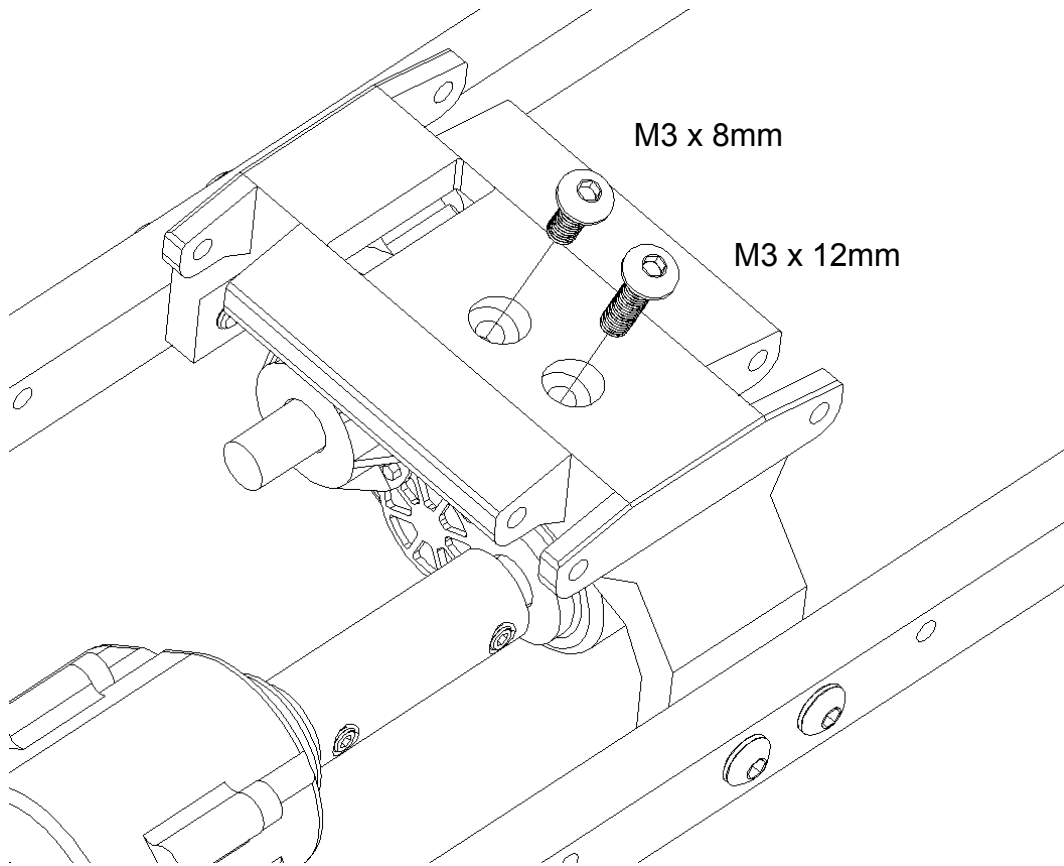
7



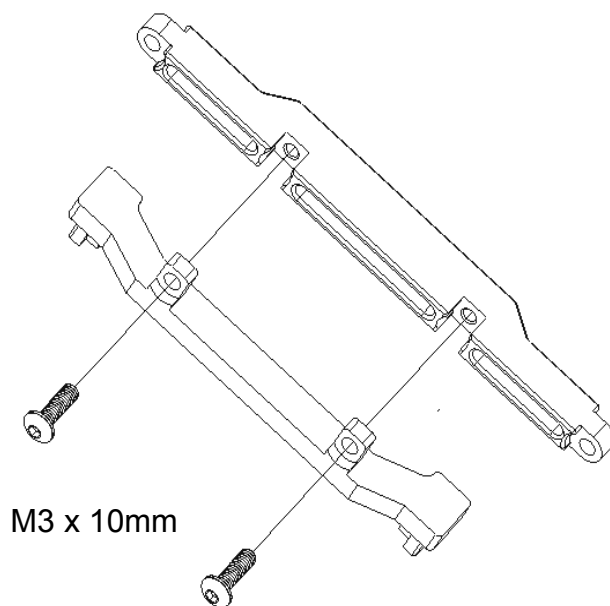
8



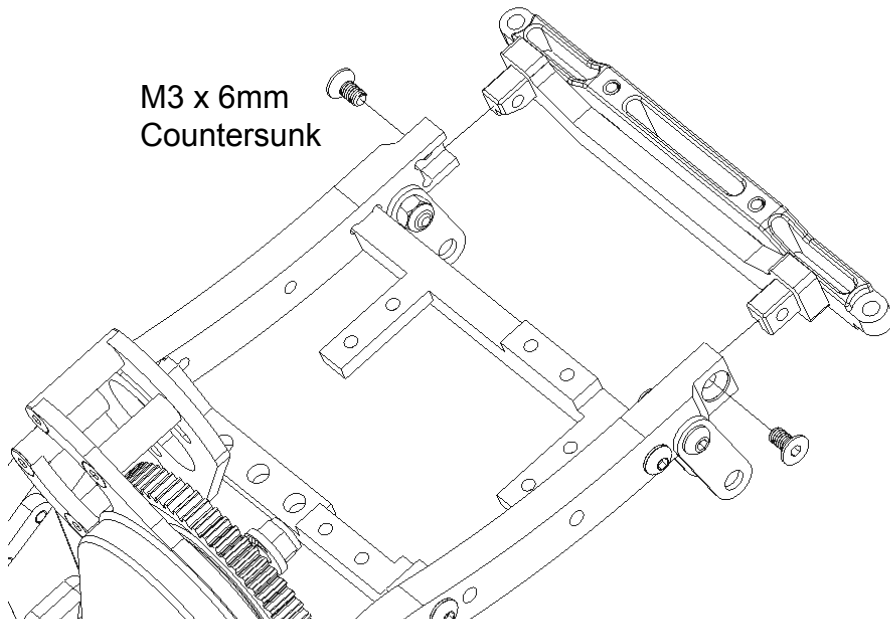
9 *



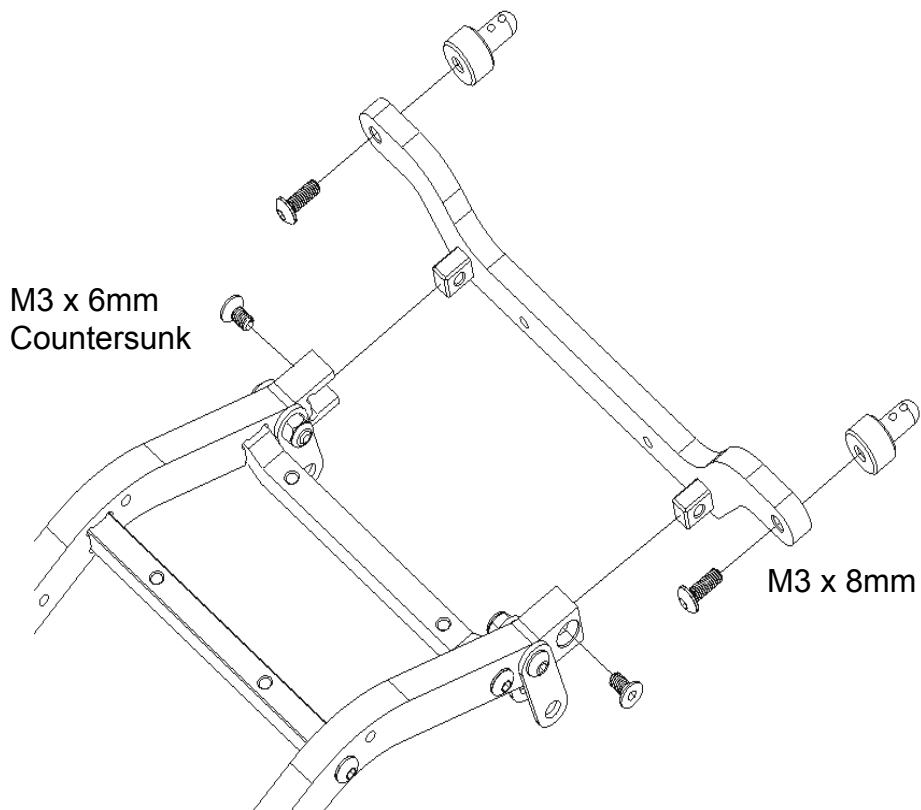
10 *



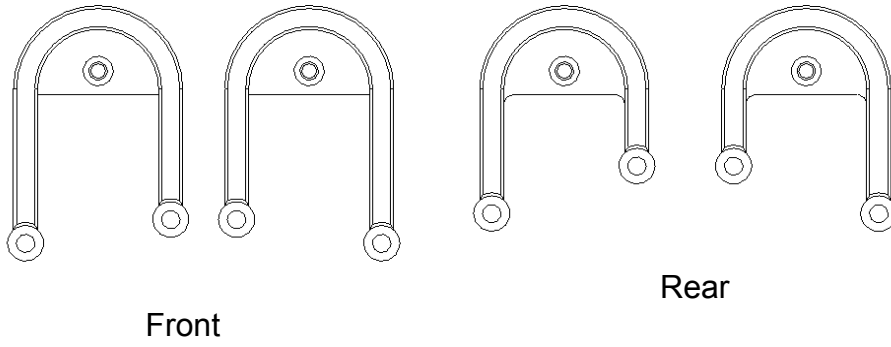
11 *



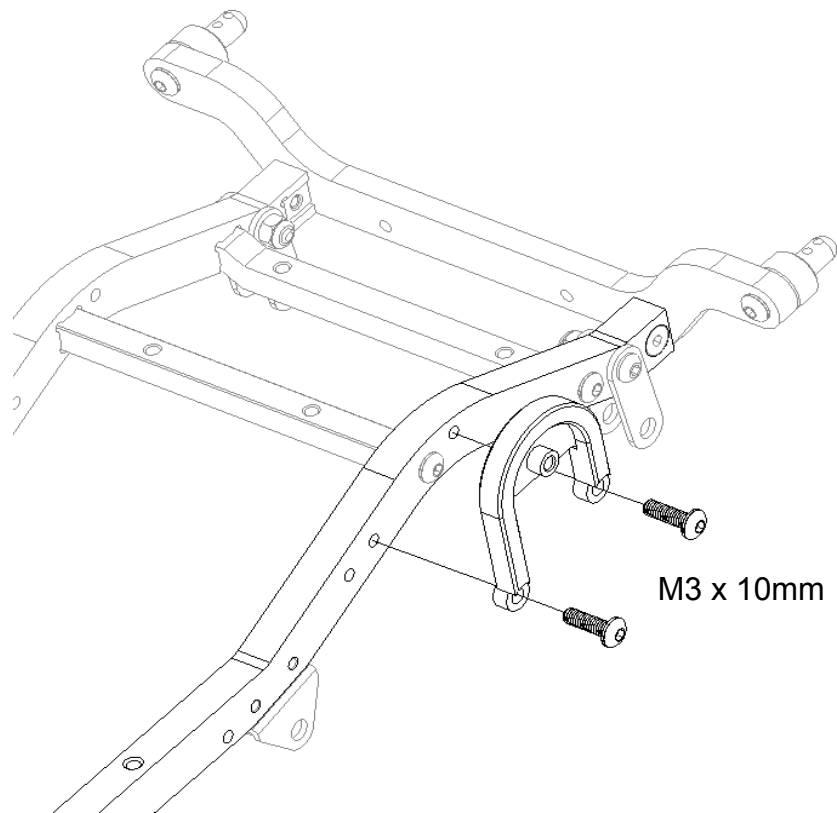
12 *



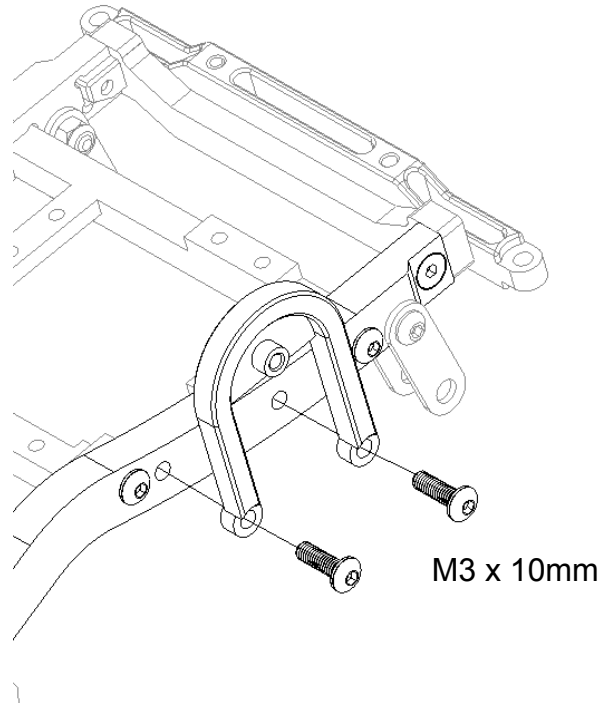
13



14 * Rear



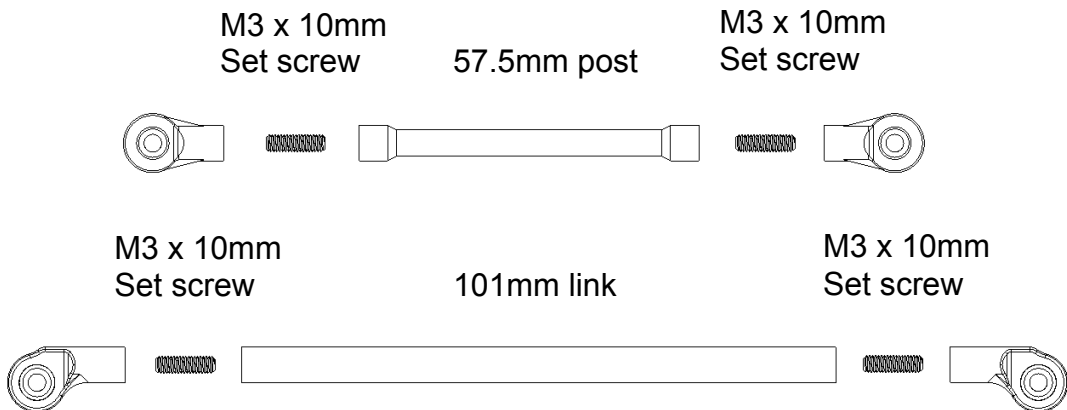
15 * Front



16 Steering Links

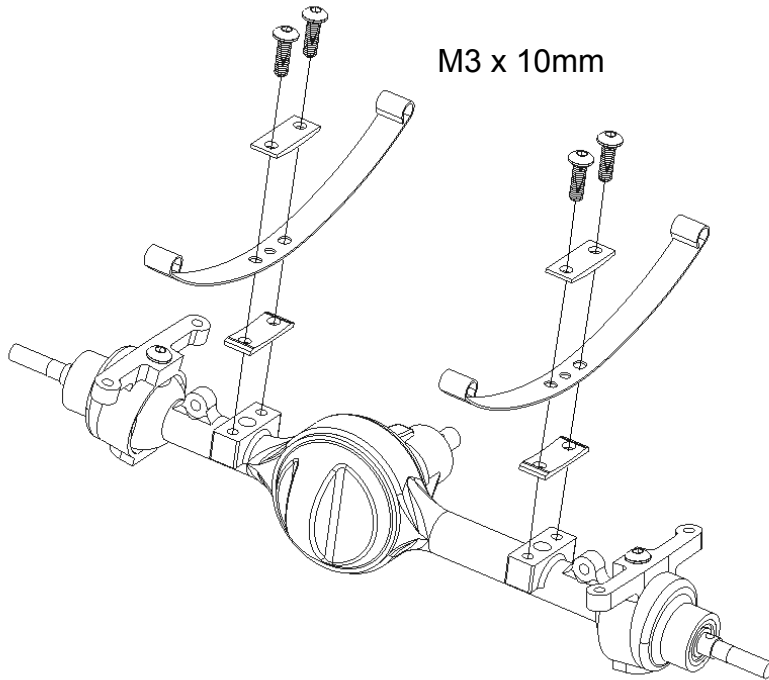
(Links can be found in Parts Bag J/TF2 SWB.)

(Rod Ends can be found in Parts Bag K/TF2 SWB.)

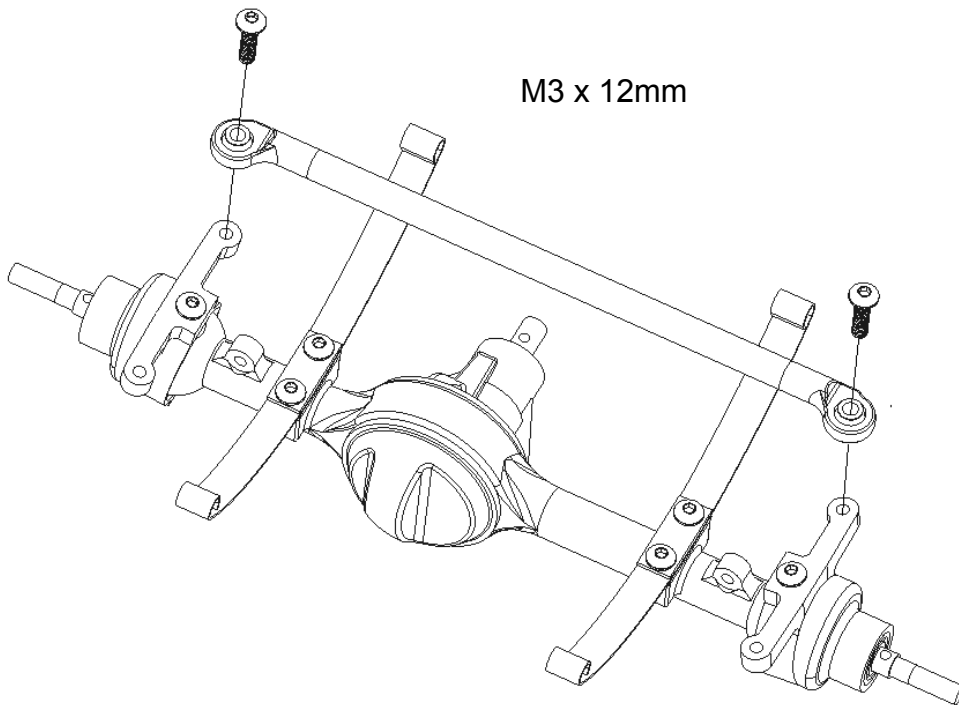


17 *

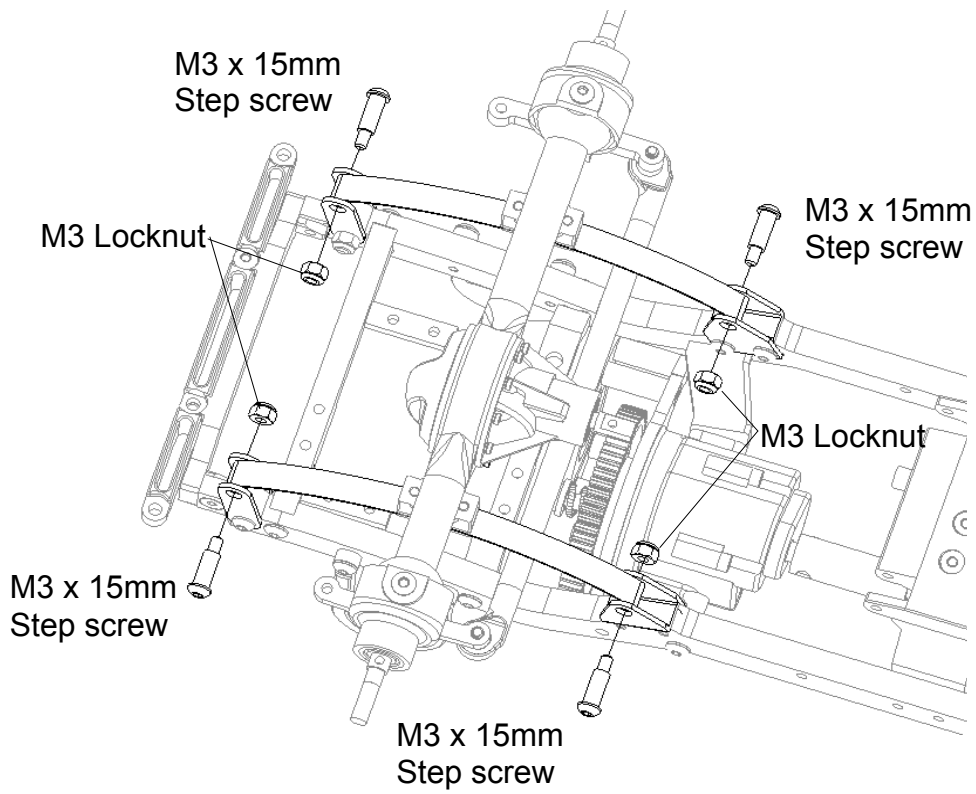
(Parts can be found in Parts Bag J/TF2 SWB.)



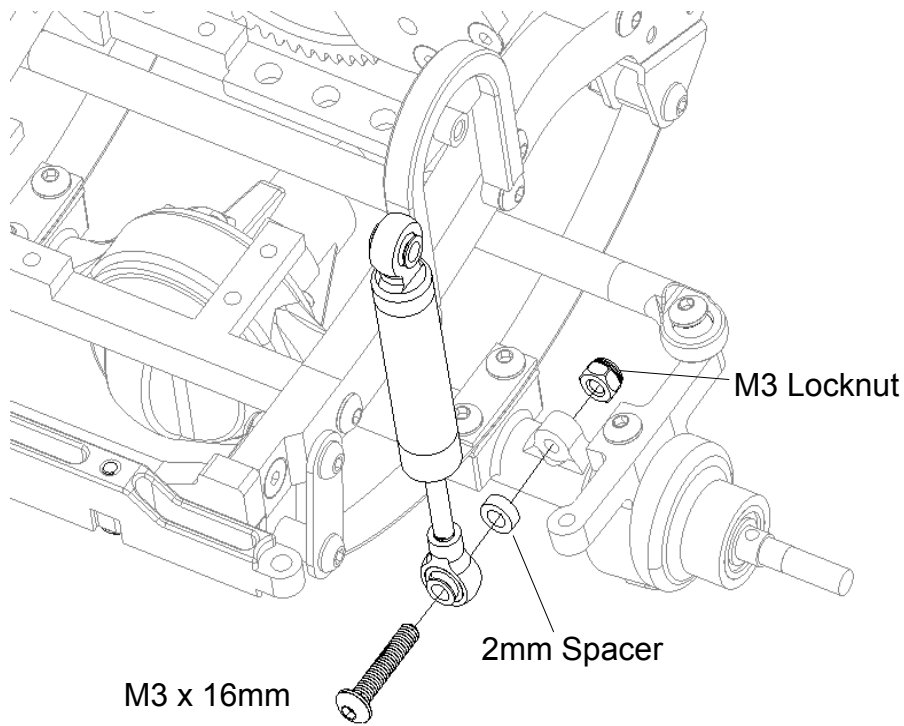
18 *



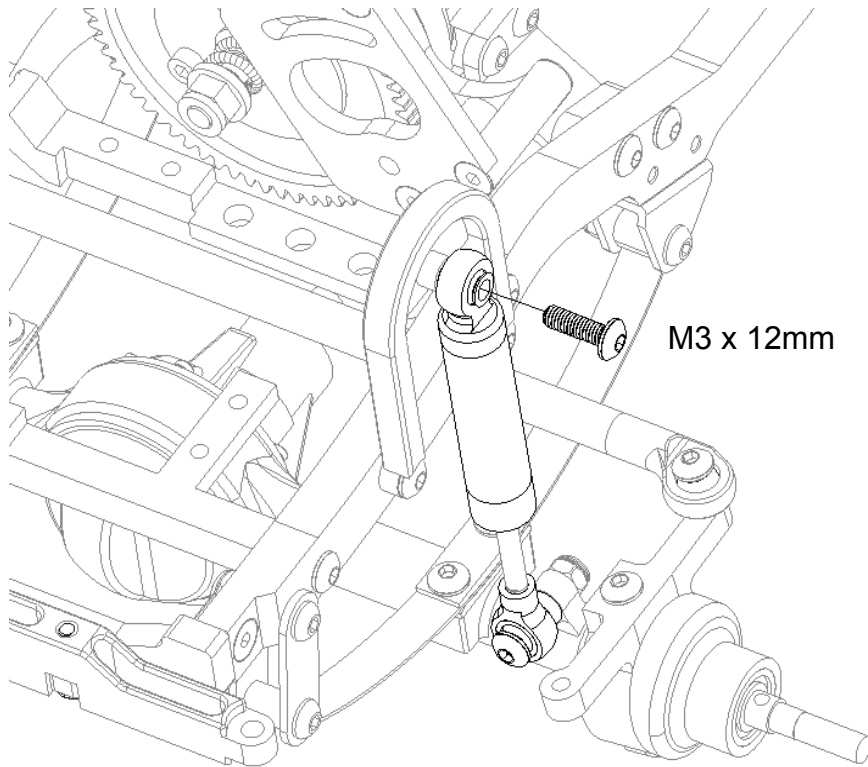
19



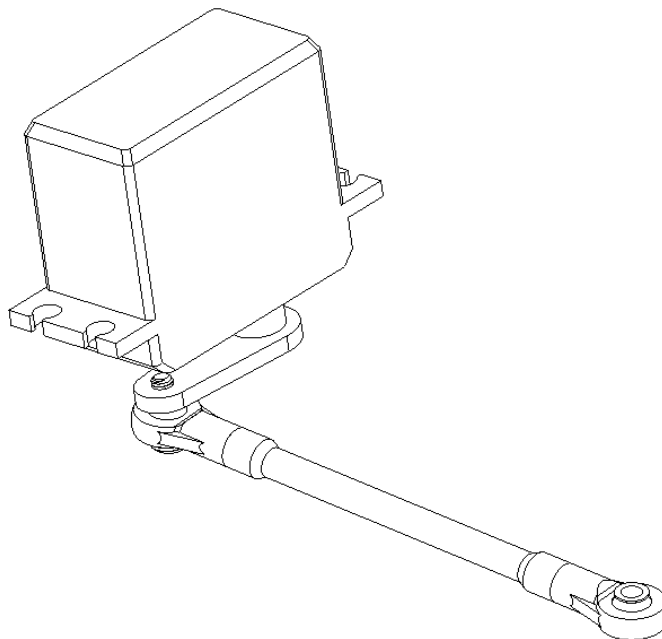
20 Attach Shocks to both sides of the chassis



21 *

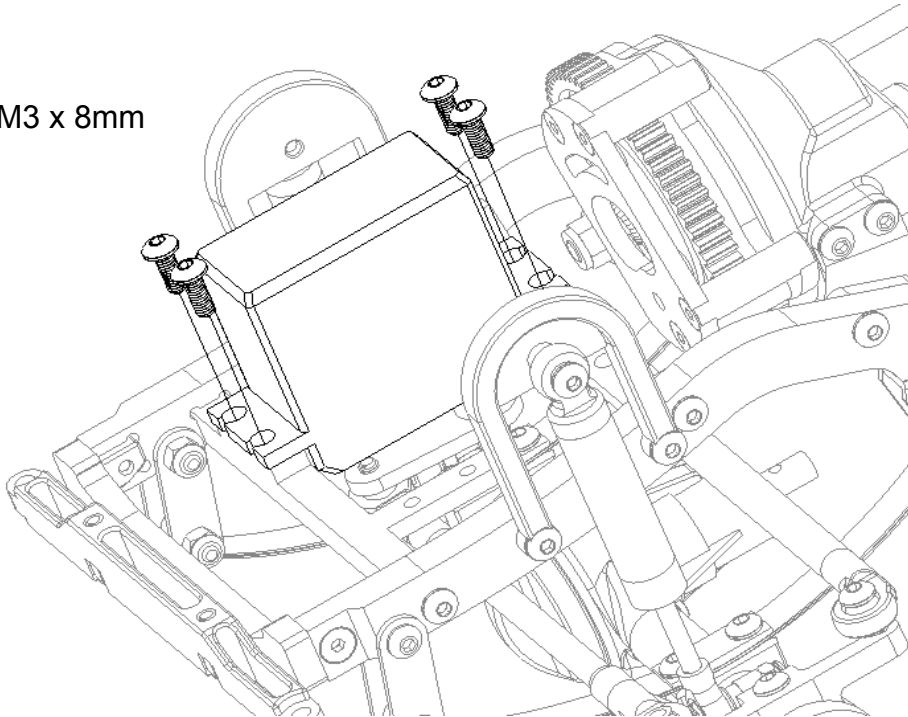


22 Note: Servo and Servo Arm are not included in the kit



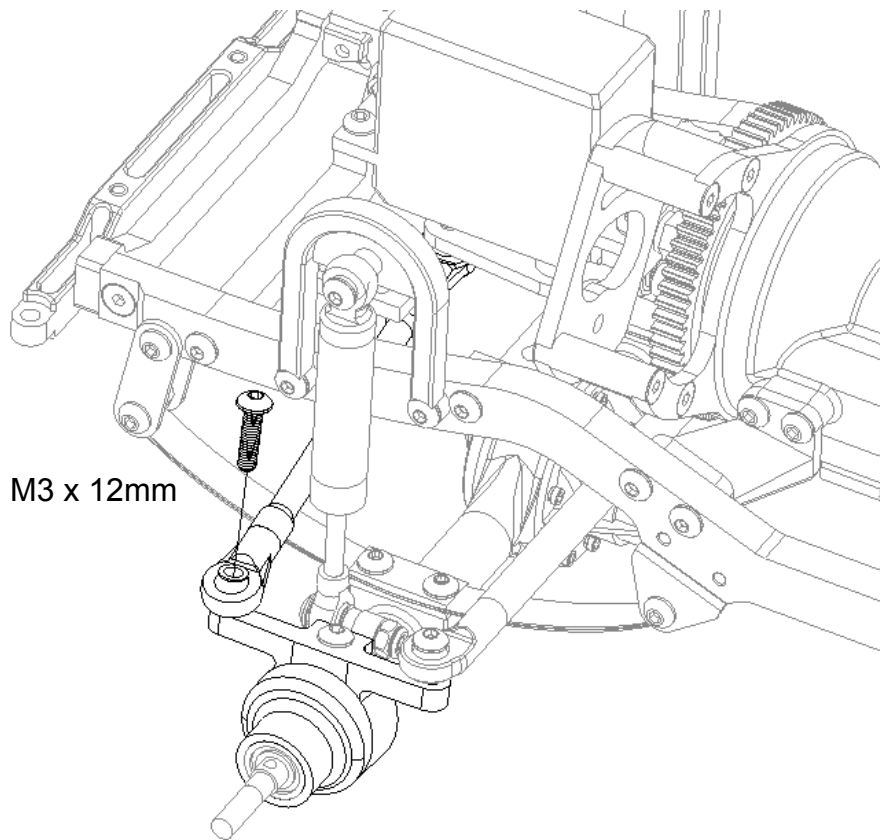
23 *

M3 x 8mm



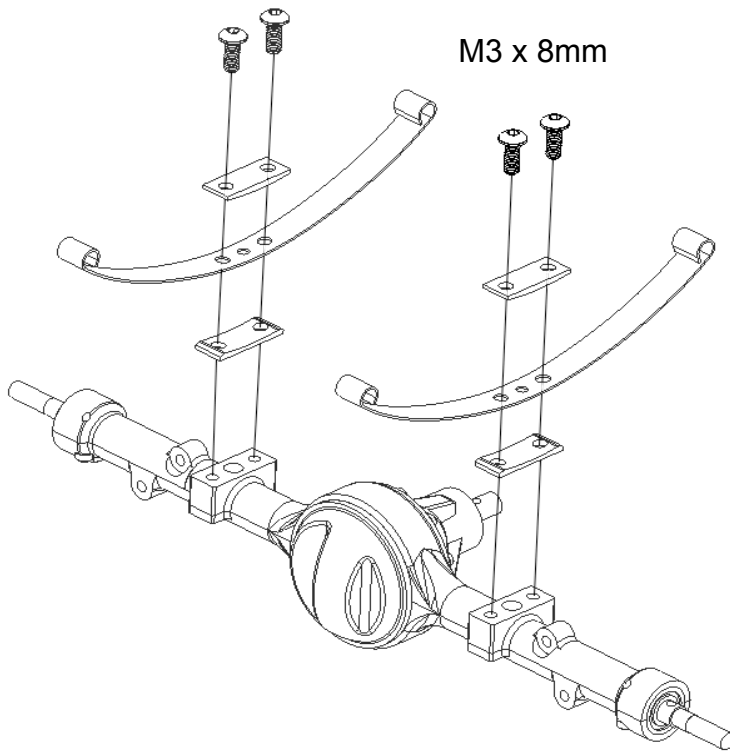
24 *

M3 x 12mm

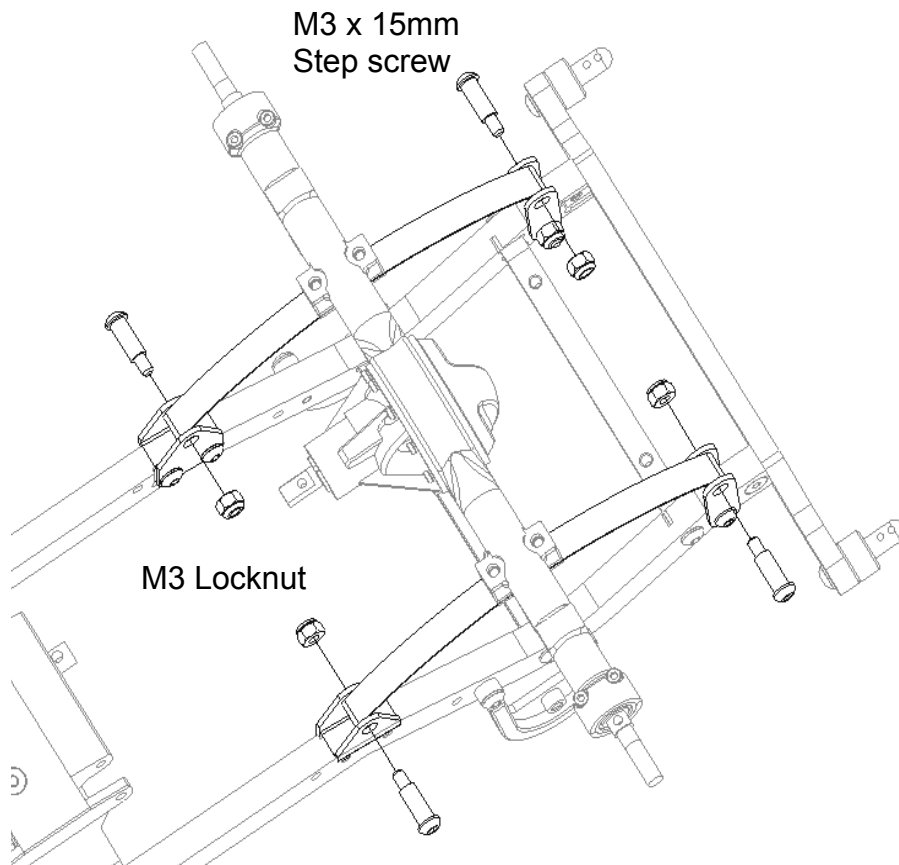


25 *

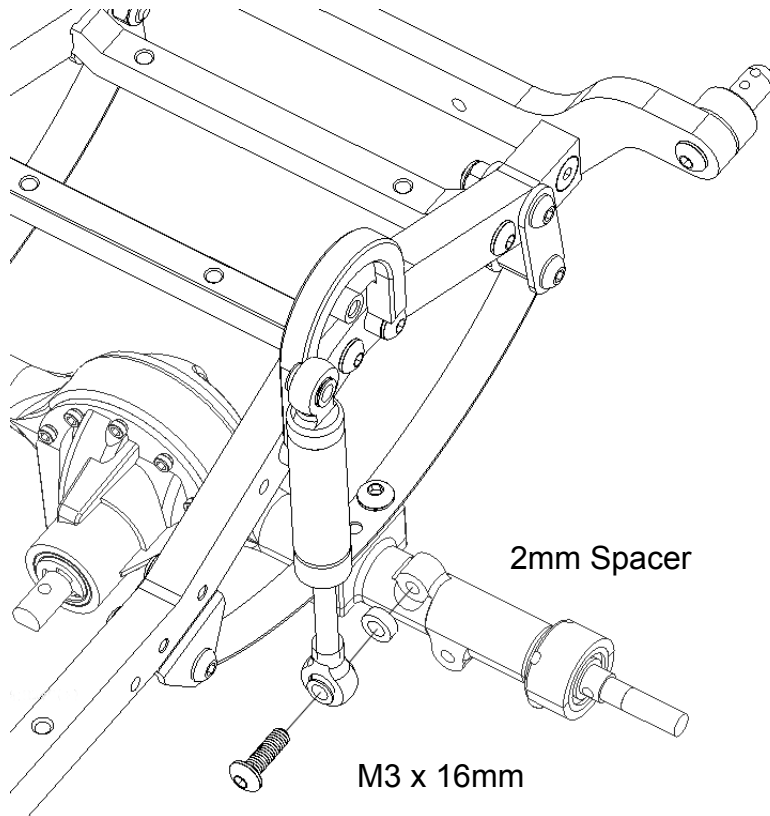
(Parts can be found in Parts Bag J/TF2 SWB.)



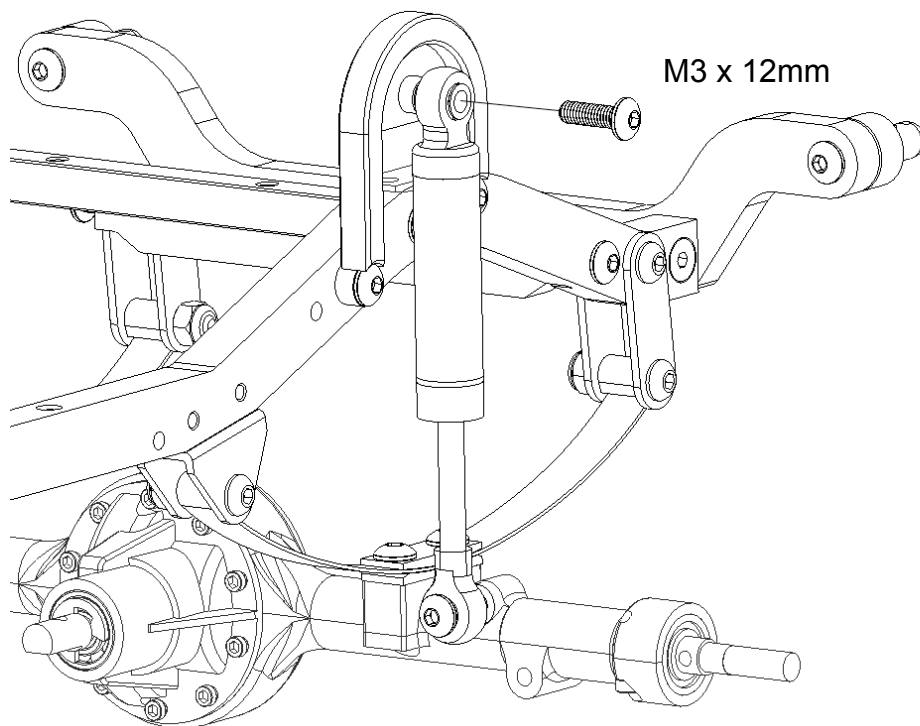
26



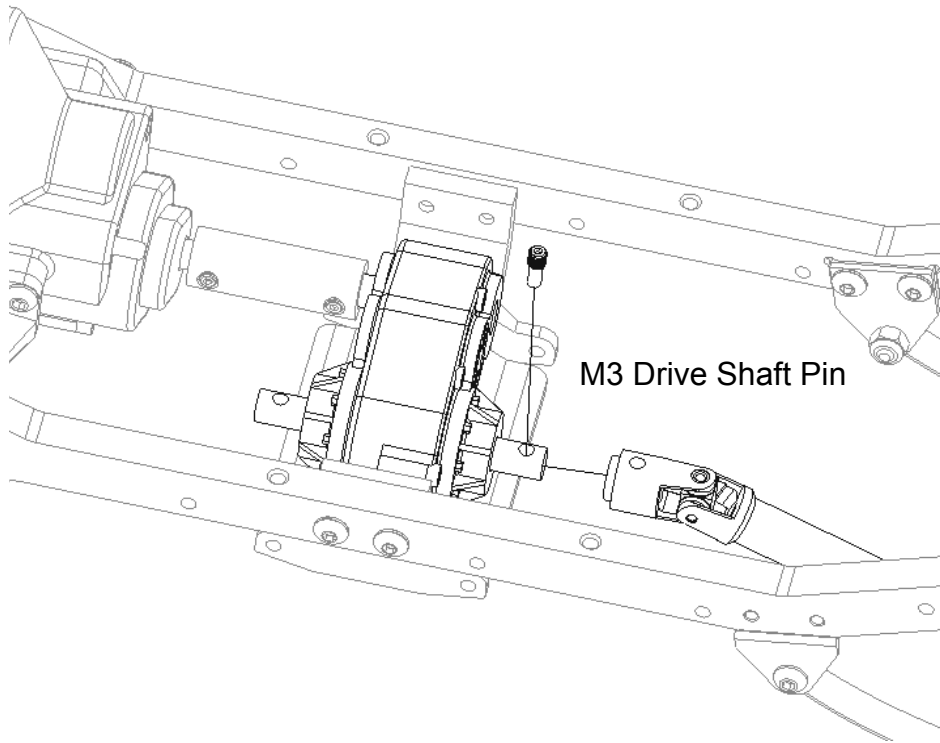
27 *



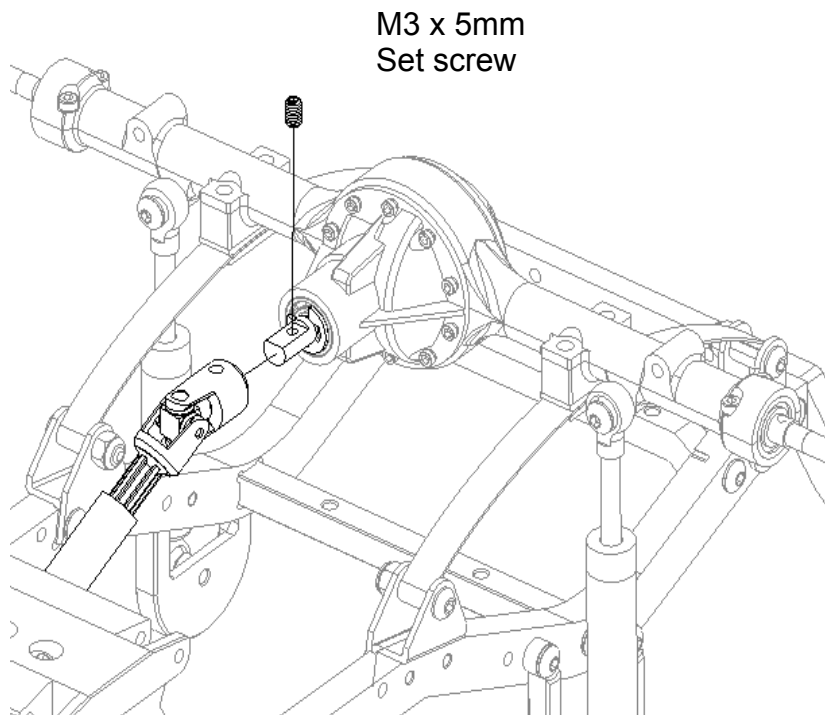
28 *



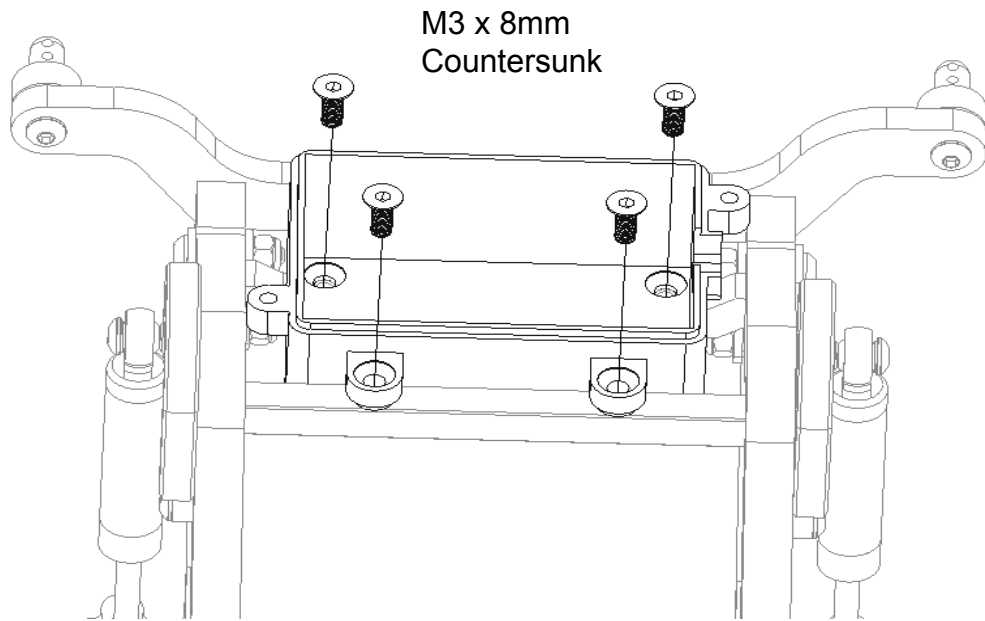
29



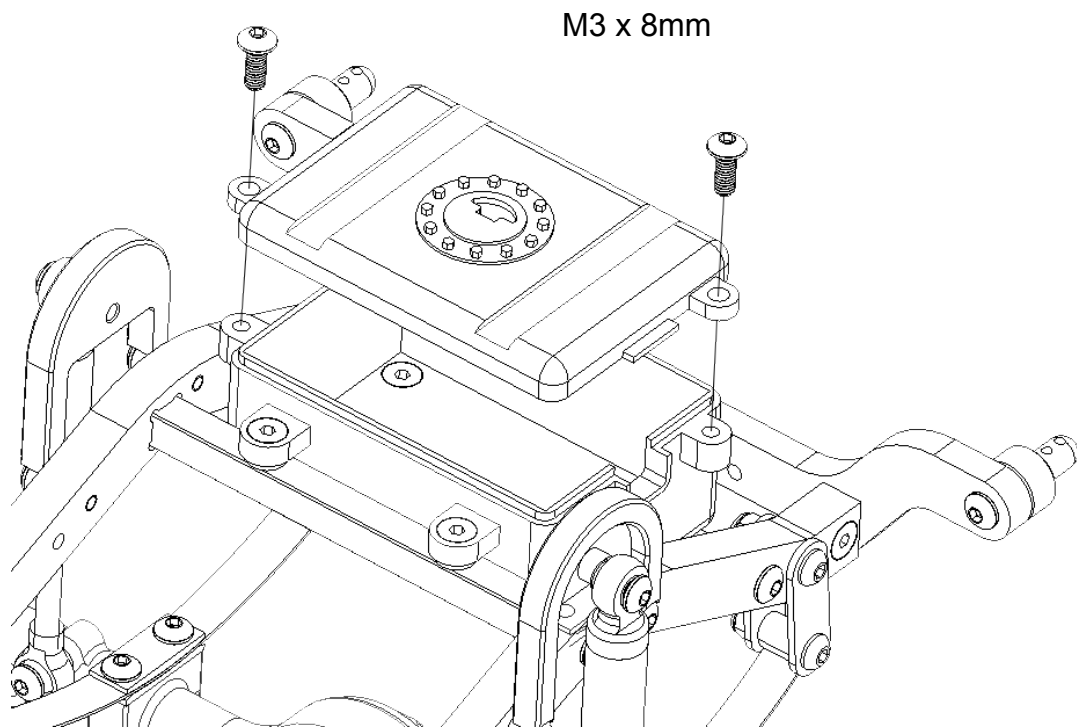
30



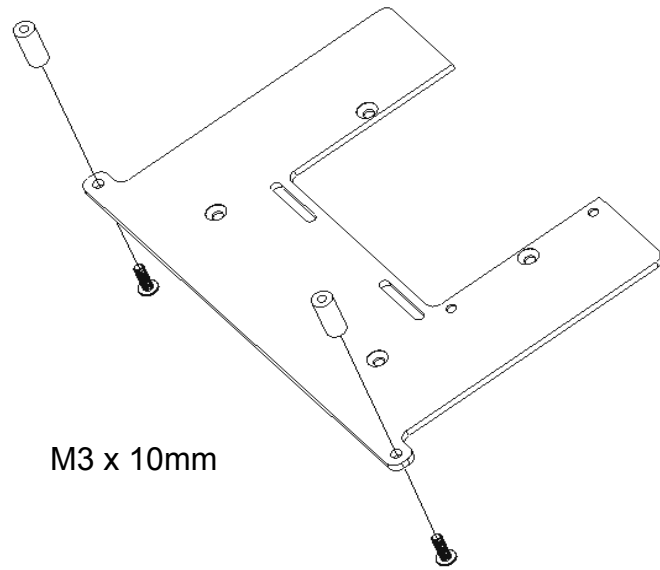
31 *



32

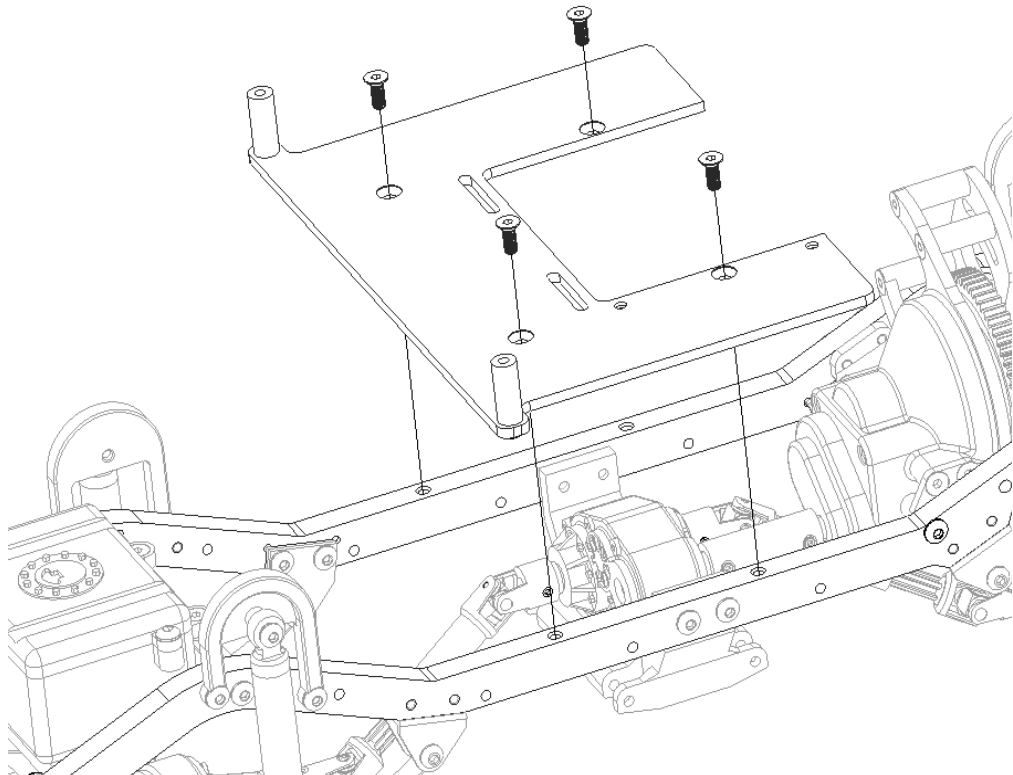


33 *

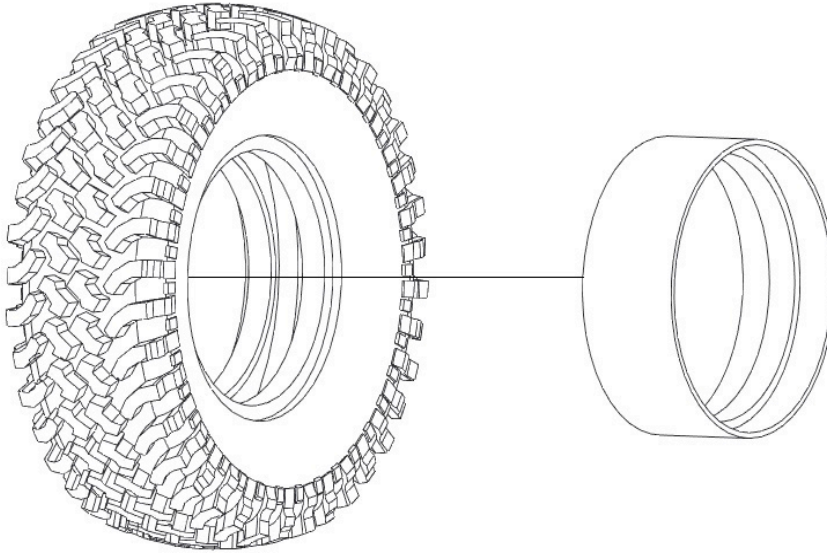


34 *

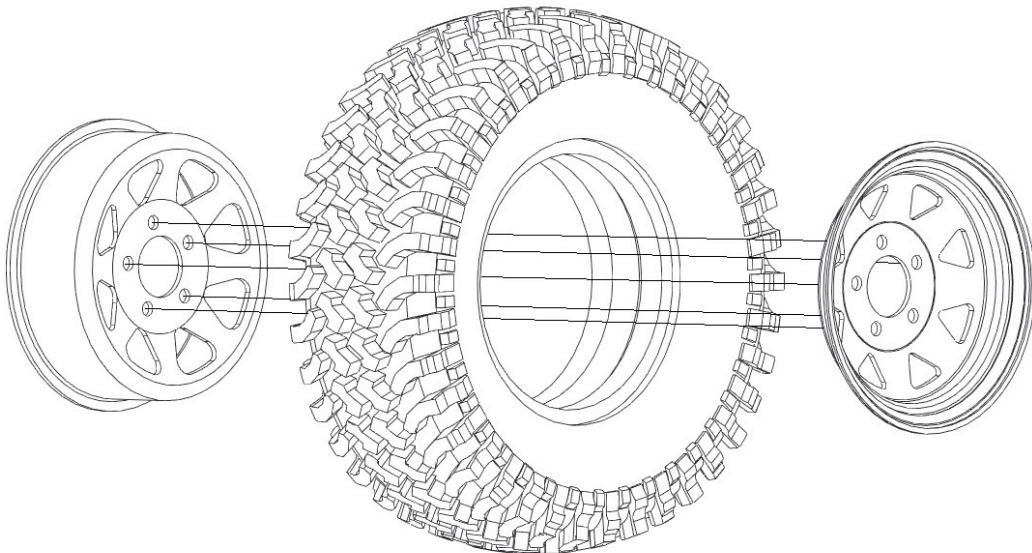
M3 x 8mm
Countersunk



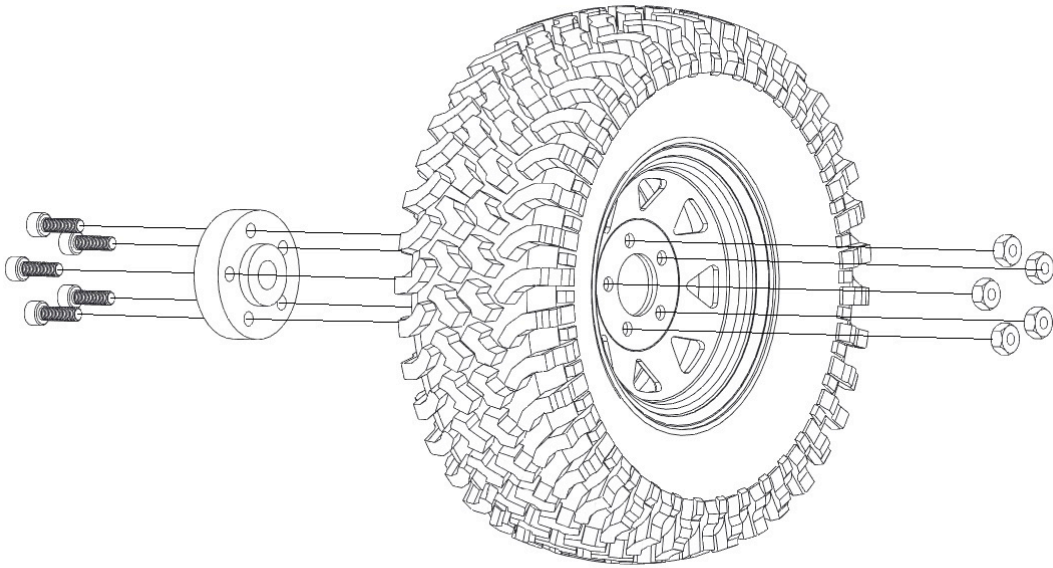
35 Assemble all 4 wheels are tires



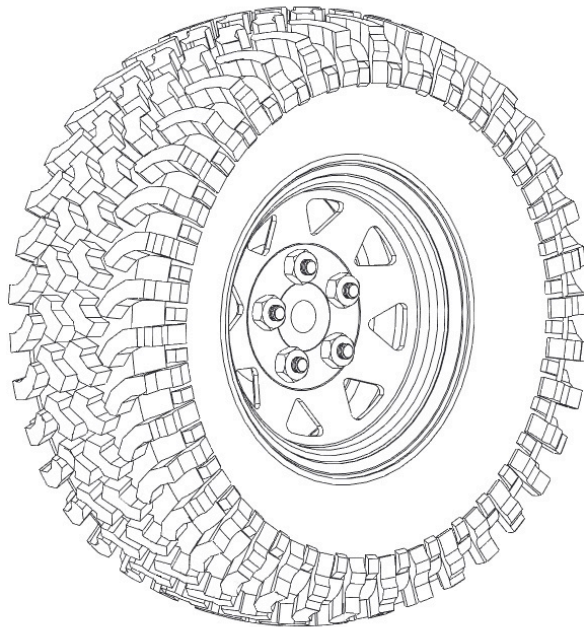
36



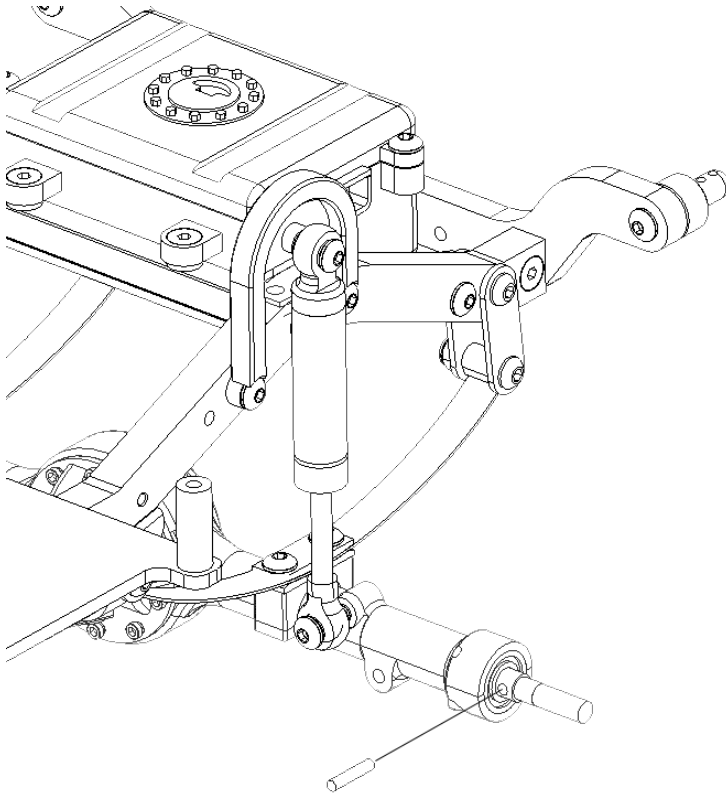
37



38

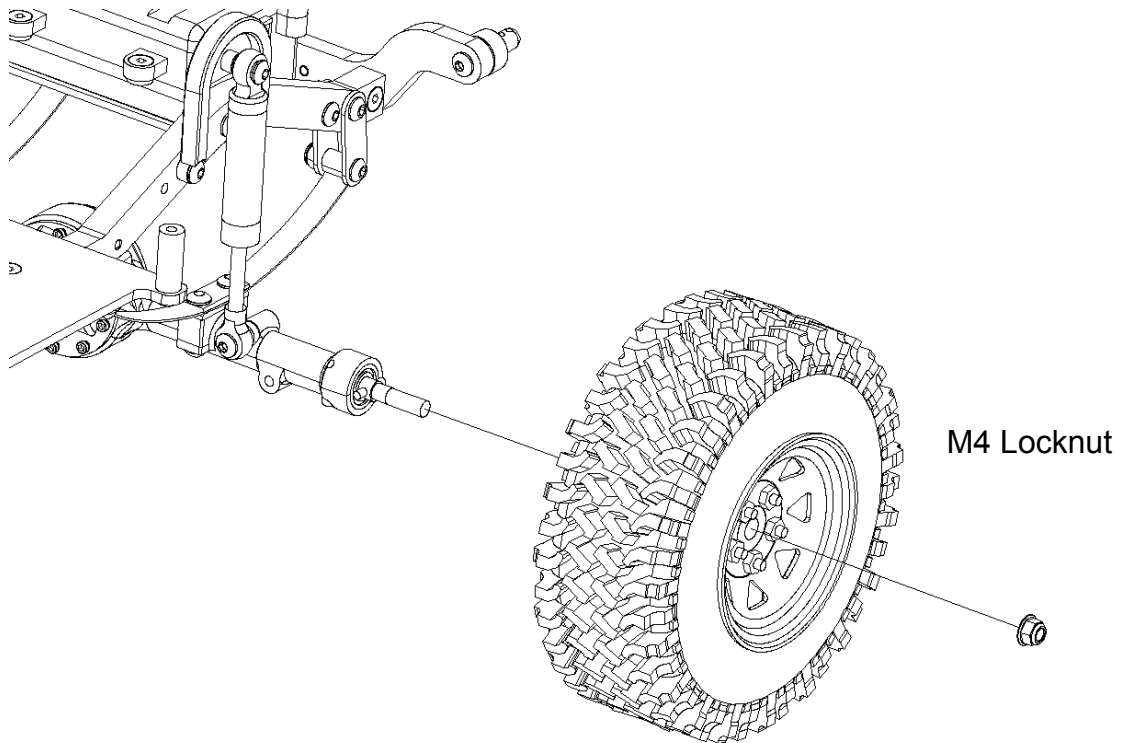


39 Install all 4 wheels



40

2mm Pin



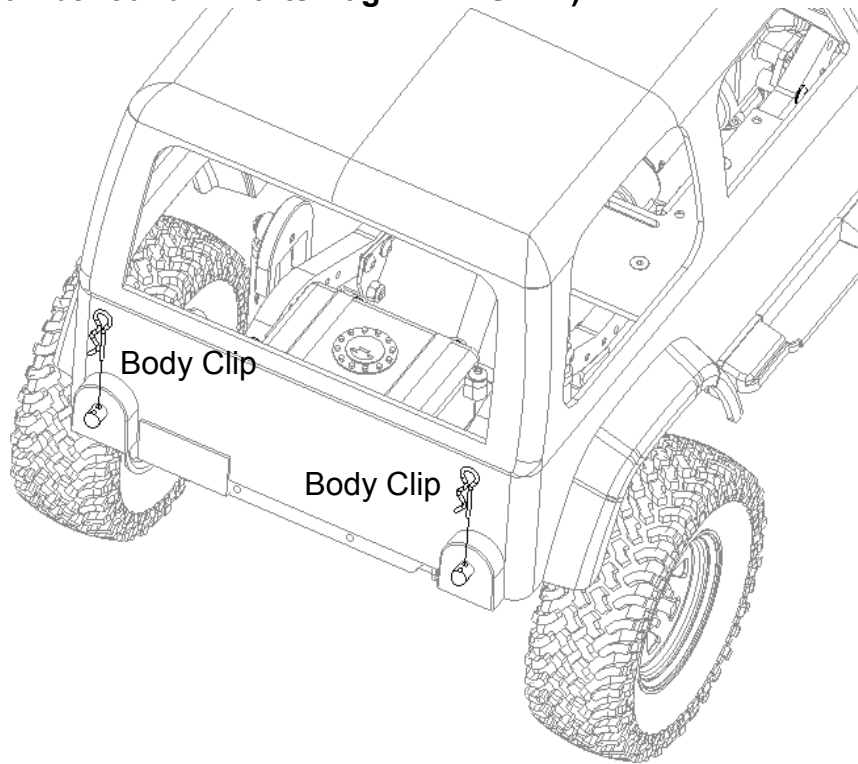
M4 Locknut



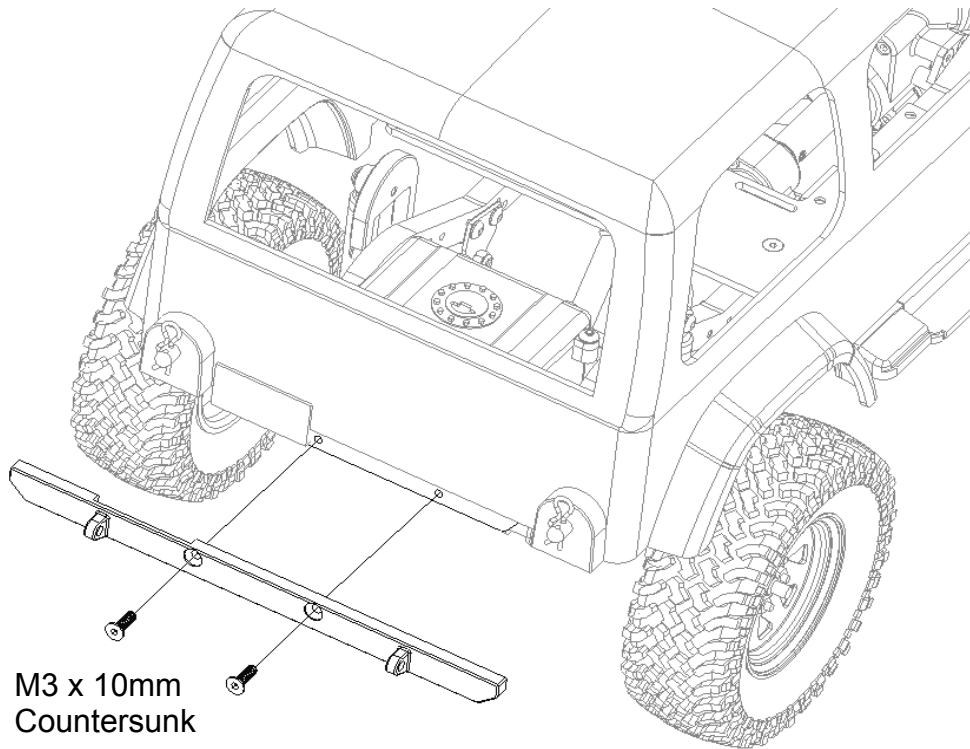
20

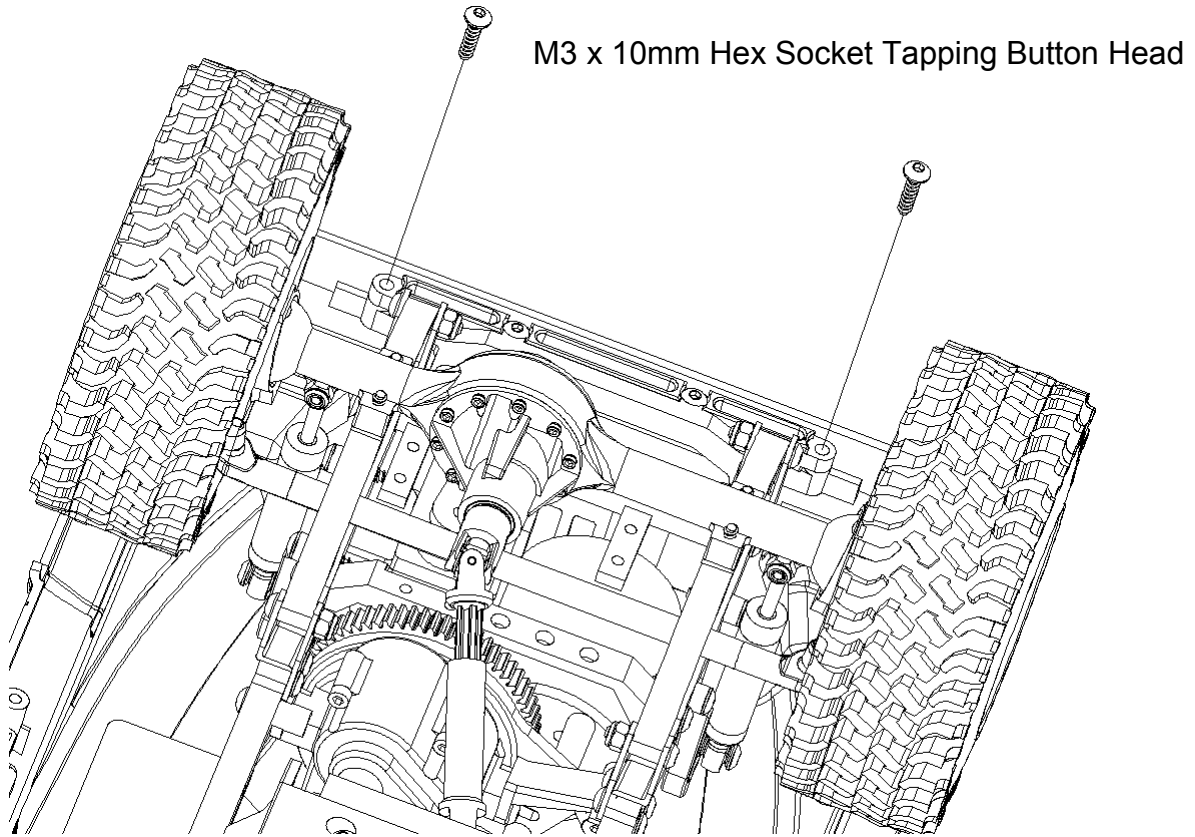
41

(Parts can be found in Parts Bag H/TF2 SWB.)



42







Spare Parts

Z-C0042	TF 2 Short WB Chassis Set
Z-S1041	R3 Tranny Mounts for Trail Finder 2 Short WB
Z-S1047	TF 2 Short WB Rear Body Mount for Tamiya Jeep Body Set
Z-S1048	Soft Steel Leaf Spring for Trail Finder 2 Short WB
Z-S1049	TF 2 Short WB Front Body Mount for Tamiya Jeep Body Set
Z-S1050	Metal Drive Coupling for Trail Finder 2 Short WB
Z-S1040	Front Shock Hoops for Trail Finder 2 Short WB
Z-S1045	Rear Shock Hoops for Trail Finder 2 Short WB
Z-S1051	Tough Armor Rear Bumper for Trail Finder 2 Short WB
Z-S1052	Leaf Spring Helper for Trail Finder 2 Short WB
Z-S1042	Yota II Steering Links for Trail Finder 2 Short WB
Z-S1054	Scale Steel Punisher Shaft (3.03"-3.94"/77mm-100mm)
Z-D0045	Super Scale 70mm White Shocks with Internal Springs
Z-U0027	T-Case and Lower 4 Link Mount for G2 and TF2 SWB Chassis
Z-S0592	Fuel Cell Radio Box
Z-U0028	R3 Scale Single Speed Transmission
Z-S0678	Electronics Top Plate W/Servo Mounts for Trail Finder 2
Z-U0024	Hammer Transfer Case (1.47/1)
Z-S0047	Leaf Spring Shackles & Mounts Kit
Z-A0080	Yota II Ultimate Scale Cast Axle (Front)
Z-A0081	Yota II Ultimate Scale Cast Axle (Rear)
Z-W0129	5 Lug Wagon 1.9 Steel Stamped Bead Lock Wheels
Z-T0051	Mud Thrashers 1.9 Scale Tires
Z-S0398	M3 Mini Plastic Rod End (20x)
Z-S0401	M3 Offset Short Plastic Rod End (20x)
Z-B0016	Silver Steel Body Clips 1.21mm

Tamiya Body Part Number

V-TAM9335171	Tamiya Jeep Wrangler Body
V-TAM9005439	Tamiya Wrangler H/J Parts Light buckets/Mirrors
V-TAM9115239	Tamiya Wrangler M Parts
V-TAM9115062	Tamiya Wrangler K Parts Light lenses
Z-B0012	Clear Lexan Windshield for Tamiya Jeep Wrangler Body

Optional Parts

Z-S1053	4 Link Kit For Trail Finder 2 Short WB Rear Axle
Z-S0734	1.9" 5 Lug Steel Wheel Hex Hub
Z-S0532	1.9 5 Lug Steel Wheel Hex Hub With Brake Rotor
Z-S0175	Scale Rear Hubs
Z-S0196	Scale Aisin/Yota Style Hubs
Z-S0823	Yota2 XVD
Z-D0035	King Off-Road Scale Dual Spring Shocks (80mm)
Z-U0029	Triton Transfer Case (1:1 ratio)





Optional Body Parts

VVV-C0031	Metal Hinge Set for Tamiya CC01 Wrangler
VVV-C0025	Hood Grill for Tamiya CC01 Wrangler
VVV-C0018	Metal Grill for Tamiya CC01 Jeep Wrangler
VVV-C0062	Rear Detailed Lens for Tamiya CC01 Wrangler
VVV-C0030	Rear Clear Lens Tamiya CC01 Wrangler
VVV-C0065	Rear Diamond Plates Corner Set for Tamiya CC01 Wrangler (Silver)
VVV-C0063	Rear Diamond Plates Corner Set for Tamiya CC01 Wrangler (Black)
VVV-C0061	Front Lens for Tamiya CC01 Wrangler
VVV-C0060	Metal Logo for Tamiya CC01 Wrangler
VVV-C0064	Rear Taillight Grill for Tamiya CC01 Wrangler

Electronics

Motor (35t, 45t, or 55t)

Electronic Speed Controller "ESC" (Z-E0007)

Radio and Receiver (3 channel or more) (3 Channel Z-R0009,)

1x Standard Size Servo (Z-E0035)

Battery (Consult your "ESC" manual) 6 Cell NIMH Or comparable Lipo battery

Charger (Consult your battery Guide)



Mailing Address:

RC4WD
351 California Street, Suite 930
San Francisco
CA 94104
USA

Web: rc4wd.com

Email: support@rc4wd.com

